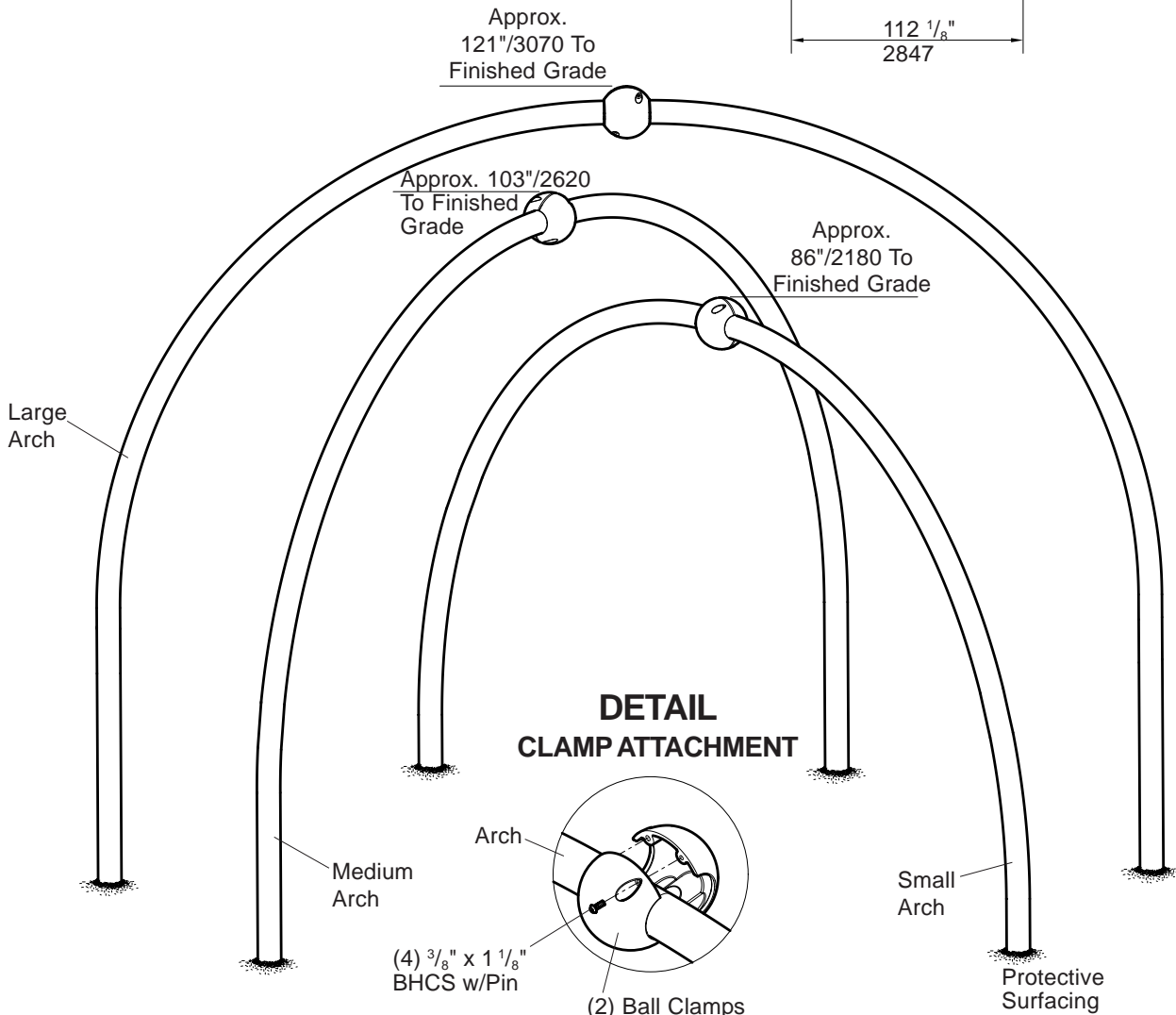
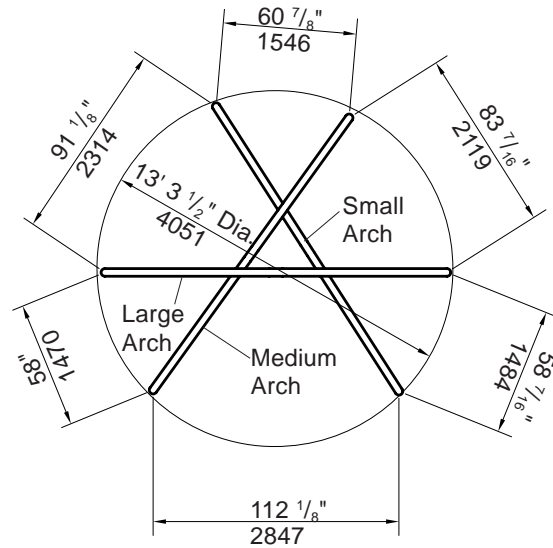
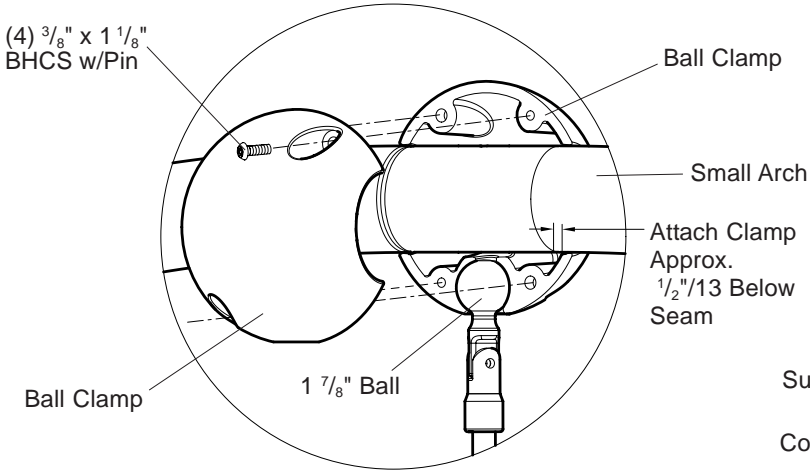


PLAN VIEW
3-ARCH STRUCTURES

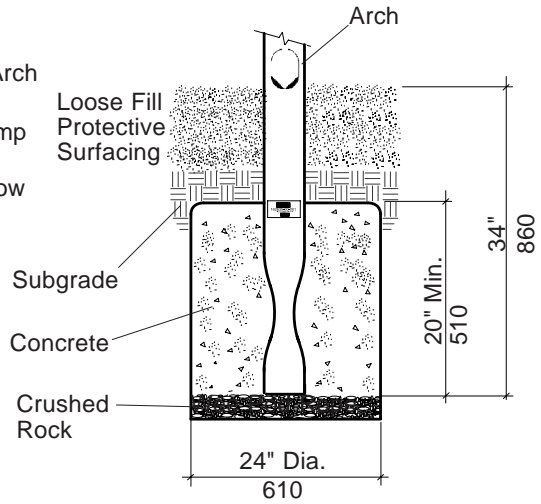


**DETAIL
 BALL ATTACHMENT WITH WEE POD**



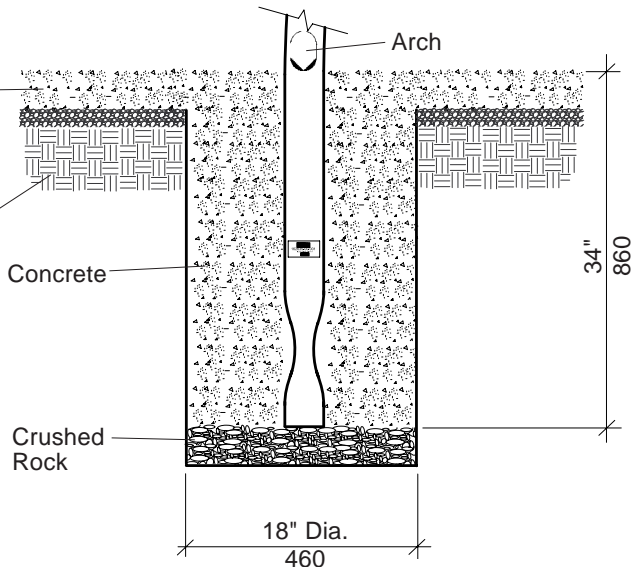
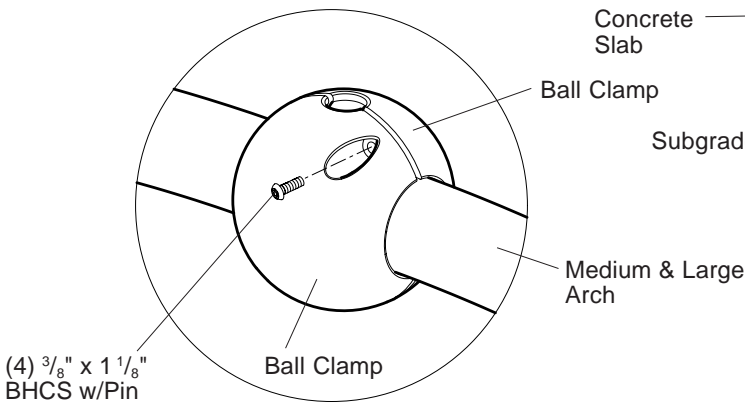
NOTE: Refer to your 2-D Plan for Clamp orientation.

**DETAIL
 DIRECT BURY**

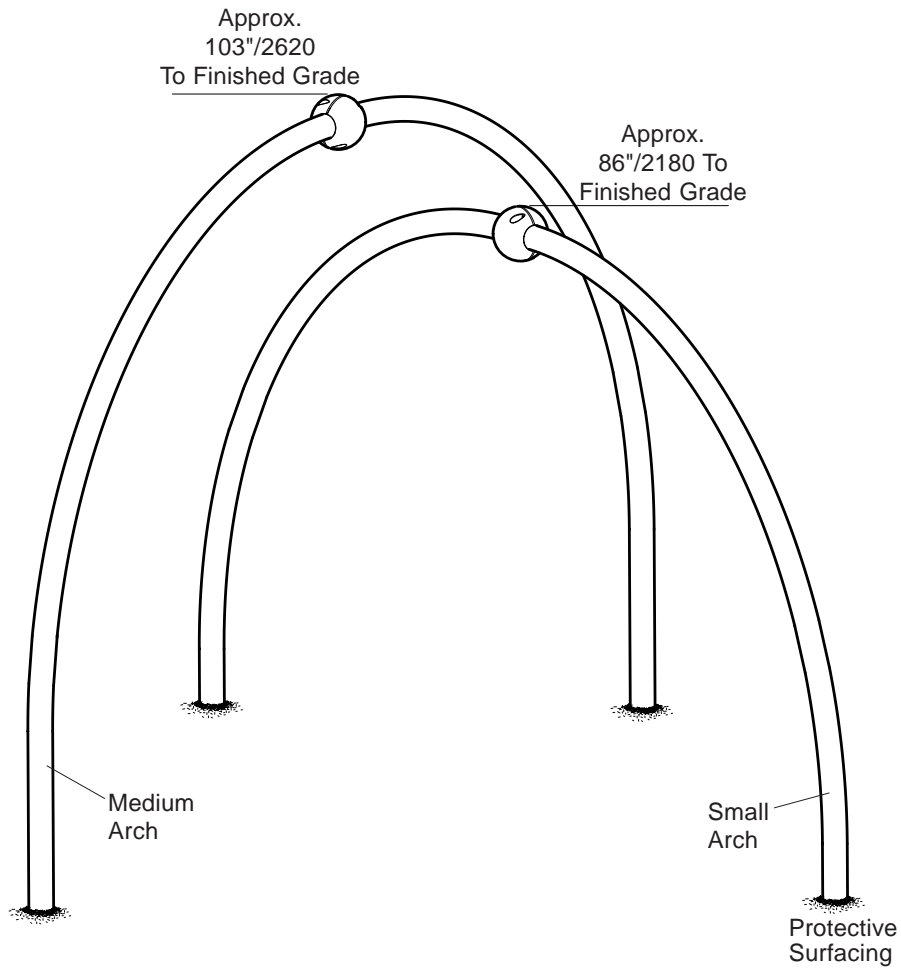
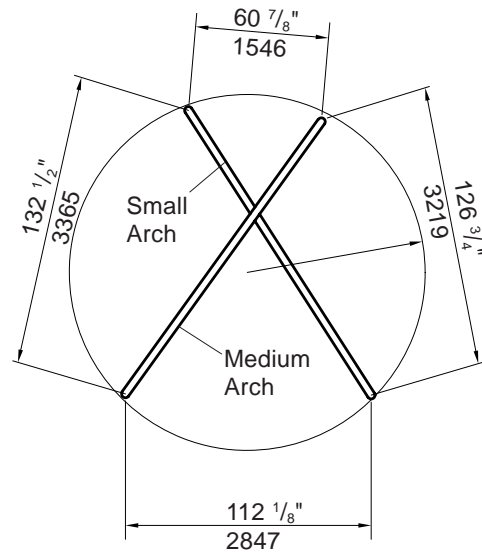


**DETAIL
 DIRECT BURY
 (CONCRETE SLAB)**

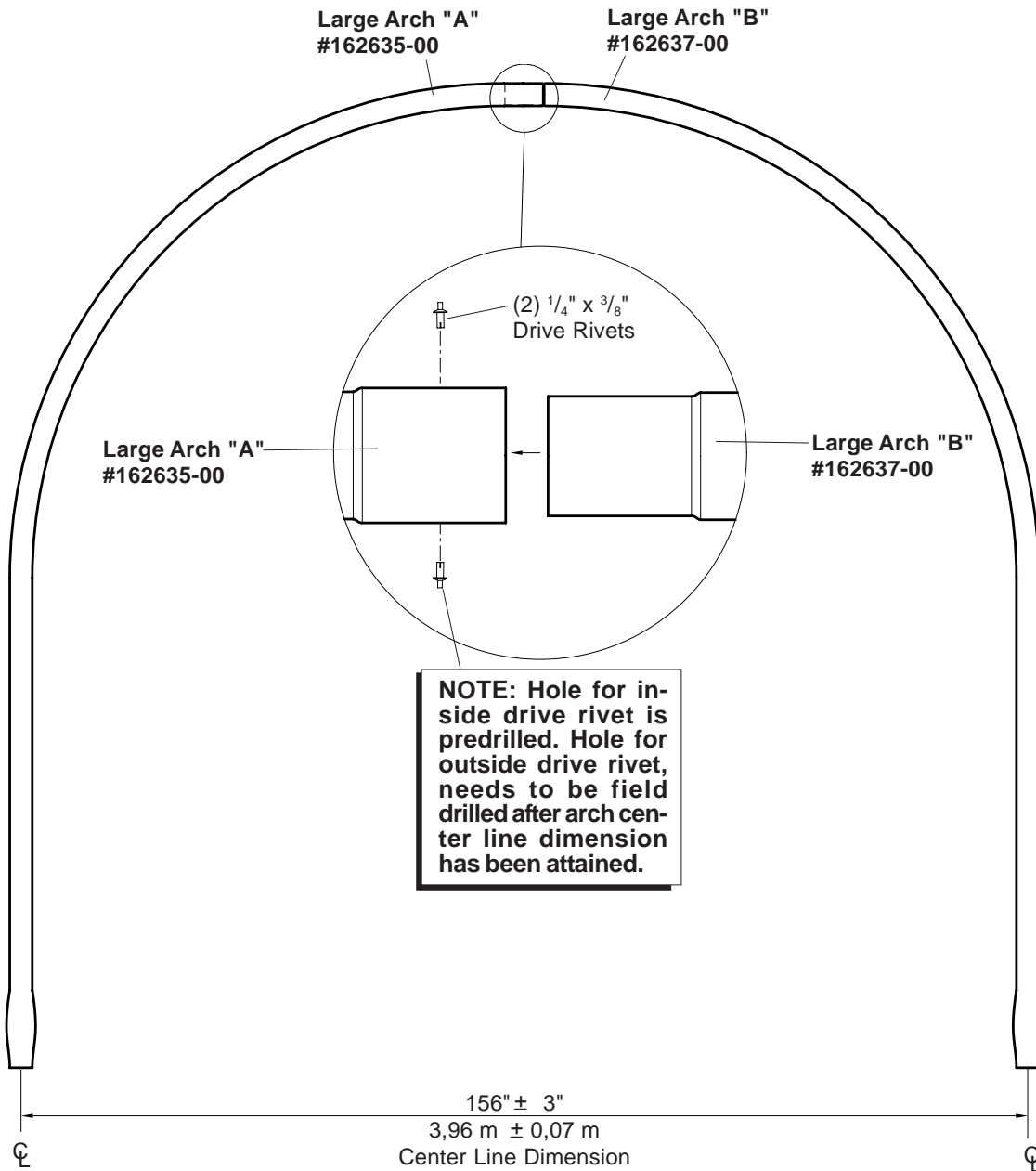
**DETAIL
 BALL ATTACHMENT WITHOUT WEE POD**



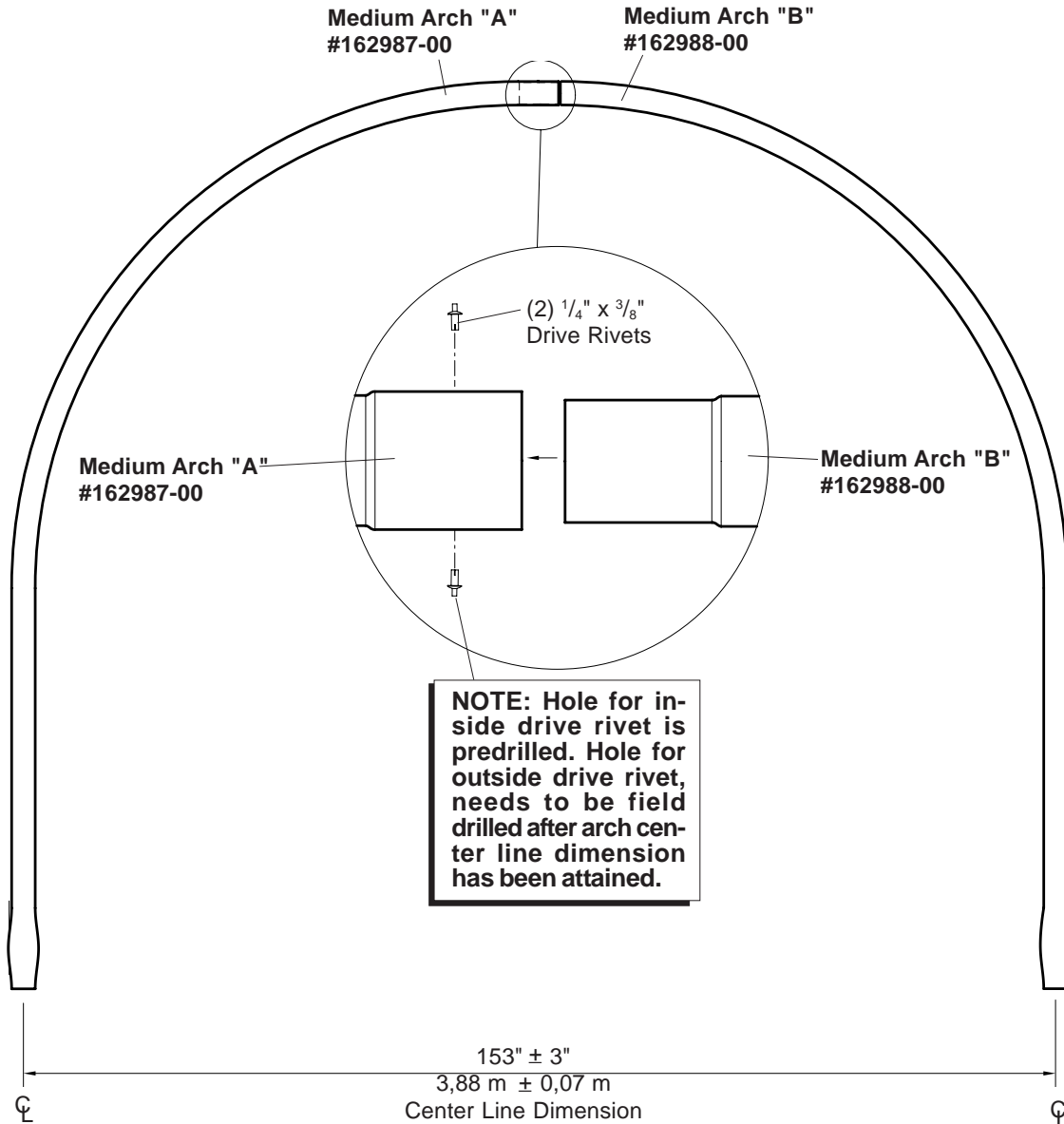
**PLAN VIEW
 2-ARCH STRUCTURES**



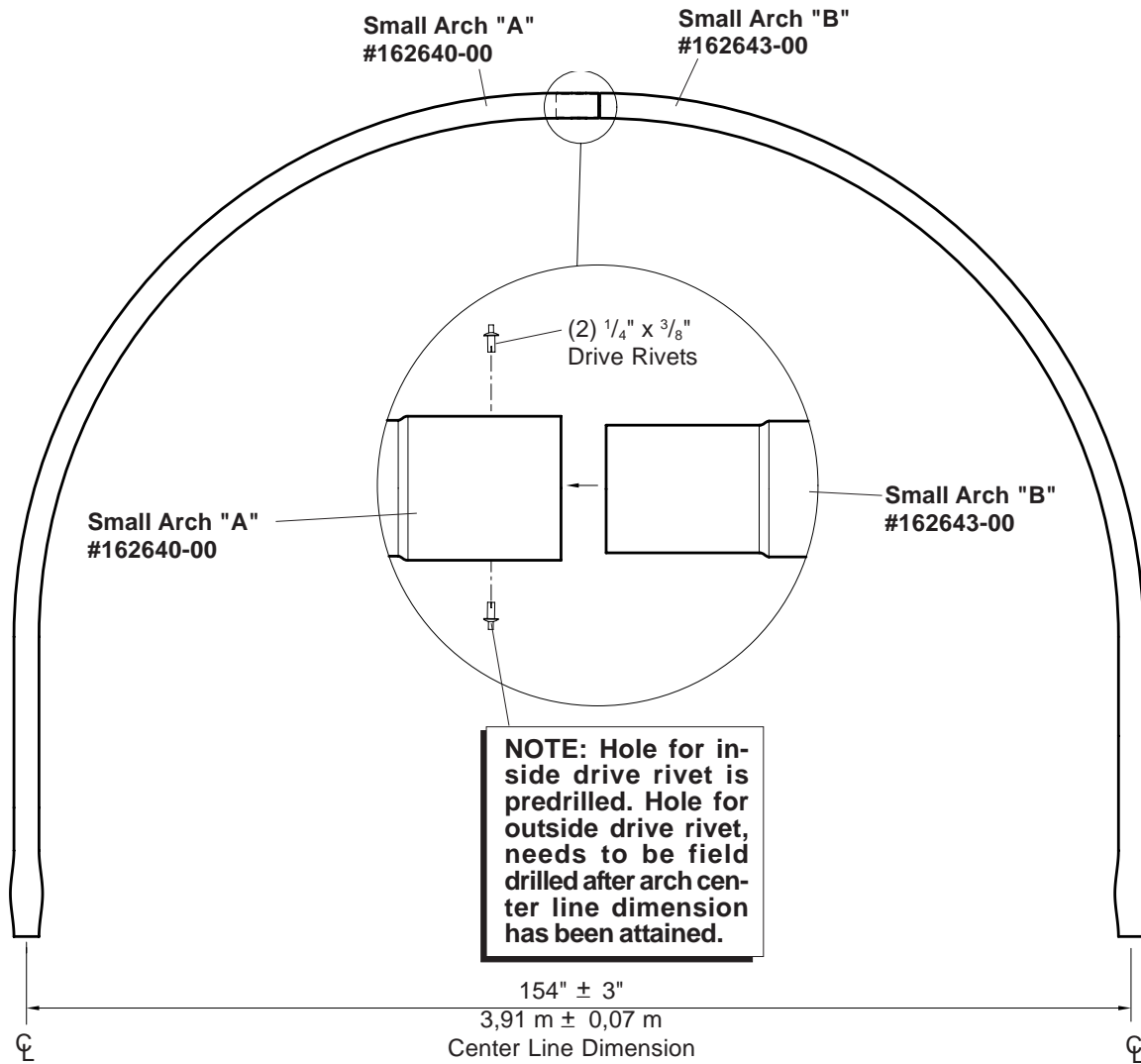
LARGE ARCH ASSEMBLY



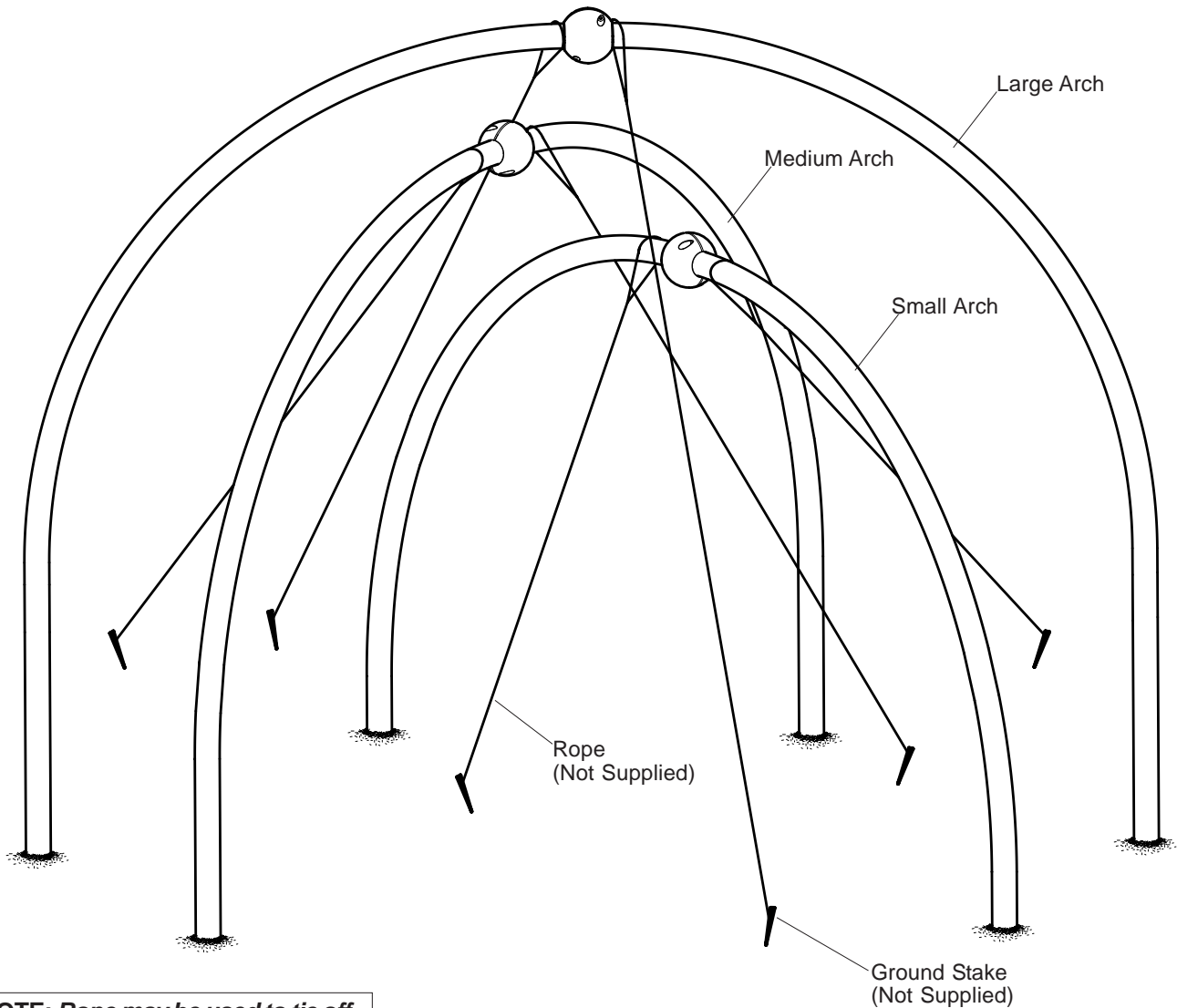
MEDIUM ARCH ASSEMBLY



SMALL ARCH ASSEMBLY



**DETAIL
 ROPE/GROUND STAKES**



NOTE: Rope may be used to tie off the arches. The use of rope will help keep the arches in plumb position, while attaching outriggers. Tie a rope (not supplied) on each side of the top ball clamp. The rope should be long enough to attach to a ground stake (not supplied). When the arches are in plumb position, pull the ropes tight, and attach to ground stakes.

Parts List

Part#	Description	Qty.
100611-00	1/4" x 3/8" Drive Rivet, AL/SST	*
162635-00	Large Arch A, (DB), Specify Color	*
162637-00	Large Arch B, (DB), Specify Color	*
162987-00	Medium Arch A, (DB), Specify Color	*
162988-00	Medium Arch B, (DB), Specify Color	*
162640-00	Small Arch A, (DB), Specify Color	*
162643-00	Small Arch B, (DB), Specify Color	*
164302-00	Ball Clamp, Specify Color	*
164328-00	Weevos Ball Clamp Hardware Package	*
100198-00	3/8" x 1 1/8" BHCS w/Pin, SST	*

* = Quantity Determined By Your Order
DB = Direct Bury

Specifications

Ball Clamp:	Fabricated from A356-T6 sand casted aluminum. Finish: ProShield®, color specified.
Arches:	All steel arches are manufactured from 3.500" O.D. galvanized steel tubing with a wall thickness of .120". Finish: ProShield, color specified.
Fasteners:	Primary fasteners shall be socketed and pinned tamperproof in design, stainless steel (SST) per ASTM F 879 unless otherwise indicated (see specific product installation/specifications).
Installation Time:	(3 arch structure) 3 People minimum approx. 8 man hours (2 arch structure) 3 People minimum approx. 6 man hours
Concrete Req.:	(DB) Approx. 20.62 cu. ft. (2 arch structure) (DB) Approx. 30.92 cu. ft. (3 arch structure) Approx. 19.23 cu. ft. (2 arch structure) (Direct Bury Through Concrete Slab) Approx. 28.8 cu. ft. (3 arch structure) (Direct Bury Through Concrete Slab)
Area Req.:	6' (1,83 m) minimum use zone

Installation Instructions

- 1) **(Direct Bury) Refer to the Site Plan for footing locations.**
IMPORTANT! Do not pour concrete footings until all outriggers have been attached to ball clamps.
- 2) A Weevos structure consists of (2-3) arch assemblies, labeled small, medium and large. Each arch assembly consists of (2) arches with part numbers to ensure the arch is assembled correctly.
- 3) Lay (2) arches on a flat surface. Using the part numbers shown on the detail as a guide, slide arches together as shown. Level arches.
NOTE: Lay arches on cardboard to prevent arches from being scratched during assembly.
- 4) Measure center line dimension of arches. Position arches as needed to attain center line dimension. Line up holes on inside of arches. Insert 1/4" x 3/8" drive rivet into holes and hammer rivet pin in until it is flush with head.
- 5) Drill through outer hole in arches with 1/4" of "F" (only) drill bit. Insert 1/4" x 3/8" drive rivet into hole and hammer rivet pin in until it is flush with head.
- 6) Using the arch assembly detail as a guide, attach ball clamps to each arch using 3/8" x 1 1/8" BHCS w/pin. The ball clamps will be positioned on top of the drive rivets and arch ends.
- 7) Place the fully assembled arches in footing holes. Refer to the Site Plan for proper location of arches. **NOTE:** Rope may be used to tie off the arches. The use of rope will help keep the arches in plumb position, while attaching outriggers. Tie a rope (not supplied) on each side of the top ball clamp. The rope should be long enough to attach to a ground stake (not supplied). When the arches are in plumb position, pull the ropes tight, and attach to ground stakes. Refer to the back of sheet 3.